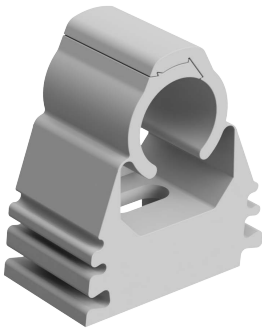


12mm Pipe clips

ACC-PIPECLIPS12



Overview

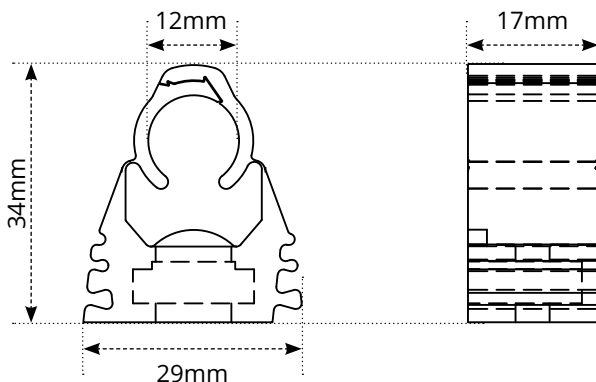
The Warmup 12mm pipe clips are used to secure Warmup 12mm pipes to the wall as they enter the Warmup S3 Manifold. They can also be used to secure 12mm service pipes, such as with the Warmup VLo Econna-12 system when securing pipes to joists within the floor.

They are designed to be easy and quick to install, with a unique star-shaped design that allows for simple one-handed operation. The clips are constructed from polyamide, making them resistant to UV, ageing or corrosion.

Technical specifications

Product code	ACC-PIPECLIPS12
Pack	12 clips
Application; Max. OD Ø	12mm
Material	Polyamide
Colour	Grey

Dimensions



Contact

Warmup plc

www.warmup.co.uk T: 0345 345 2288
uk@warmup.com F: 0345 345 2299

Warmup plc ■ 704 Tudor Estate ■ Abbey Road ■ London ■ NW10 7UW ■ UK

Warmup GmbH ■ Ottostraße 3 ■ 27793 Wildeshausen ■ DE

Warmup - TS - 12mm Pipe Clip - V1.0 - 2023-05-09_EN

Warmup